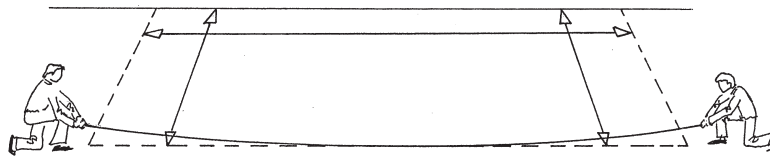
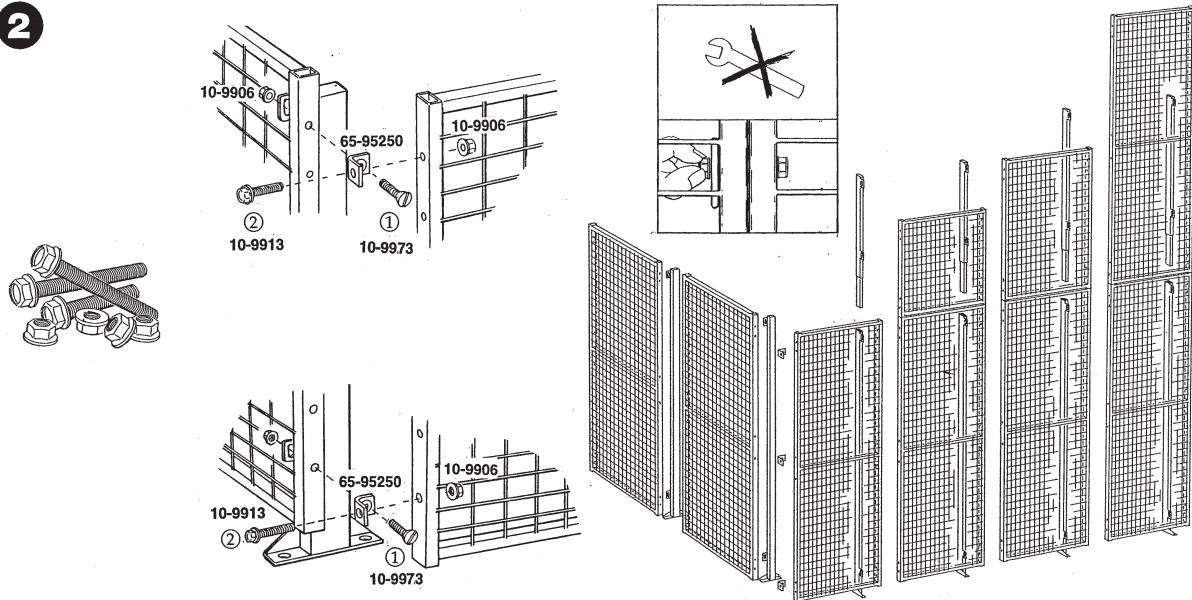


FLEXISTORE

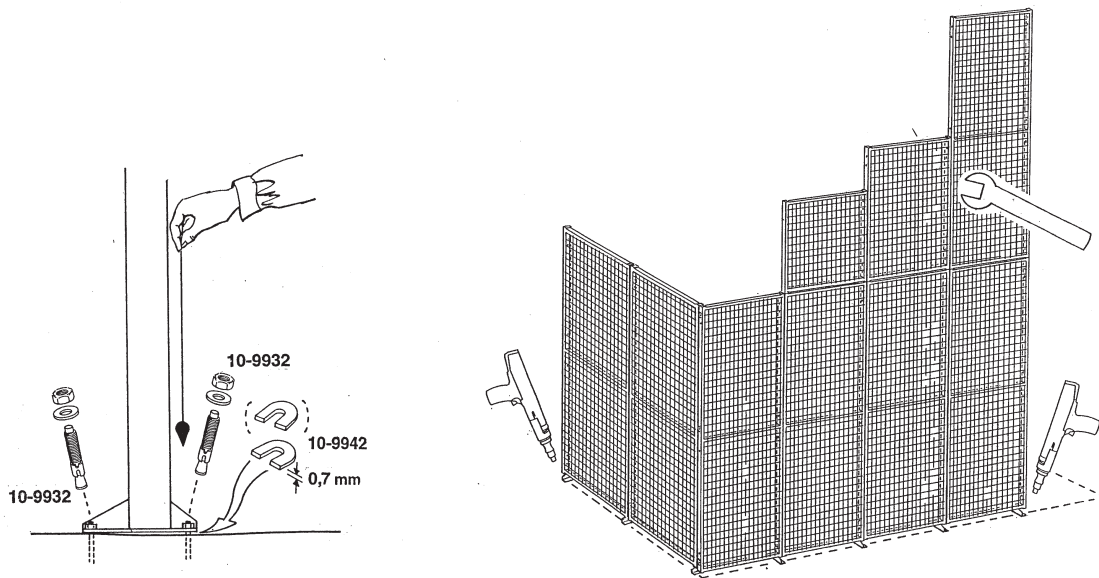
1



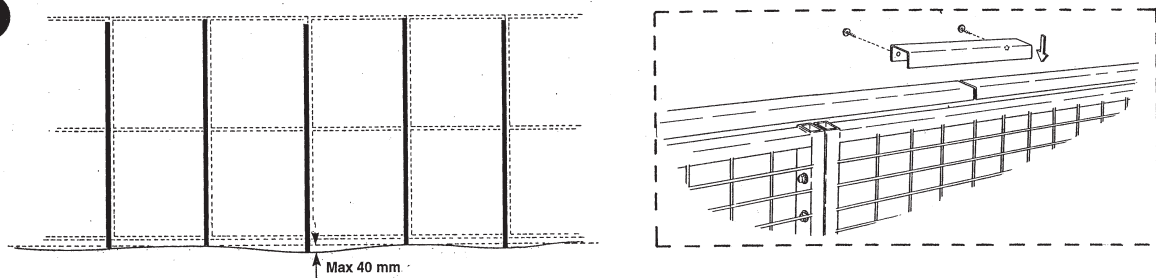
2



3



4



Copyright: AXELENT AB, Sweden. 051013.